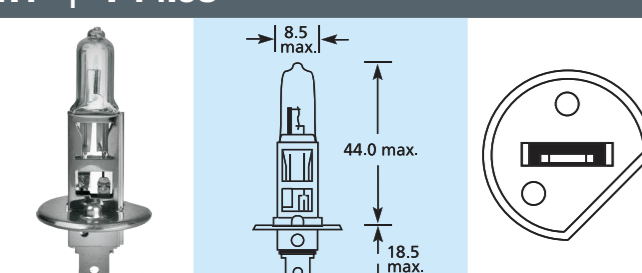




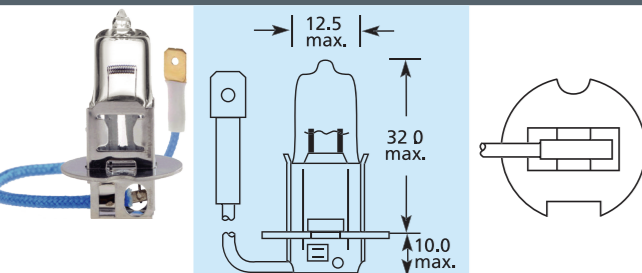
HEAD LIGHTS BULBS

H1 | P14.5S



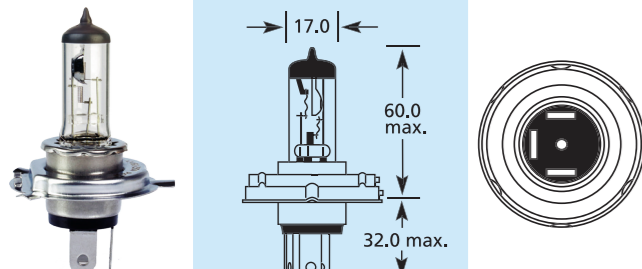
Part No.	V	W	i
SWH1 ***	12	55	+50% brighter
S448	12	55	
S448BL*	12	55	
S466	24	70	

H3 | PK22s



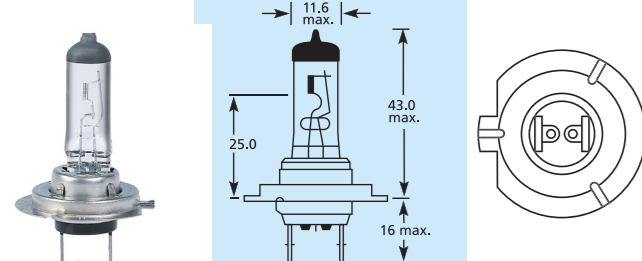
Part No.	V	W	i
S453	12	55	
S453BL*	12	55	

H4 | P43t



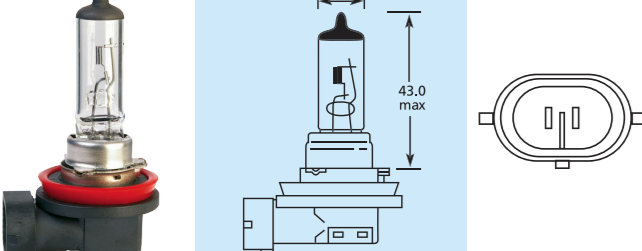
Part No.	V	W	i
SWH4 ***	12	60/55	+50% brighter
S472	12	60/55	
S472BL*	12	60/55	
S475	24	70/75	

H7 | PX26D



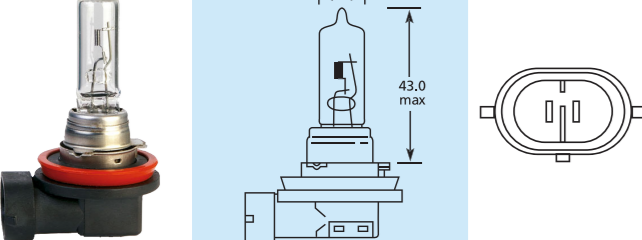
Part No.	V	W	i
SWH7 ***	12	55	+50% brighter
S499	12	55	
S499BL*	12	55	
S775	24	70	

H8 | PGJ19-1



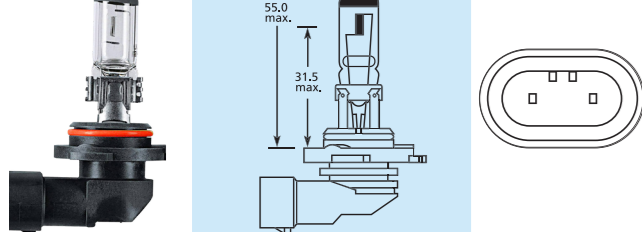
Part No.	V	W	i
S708	12	35	
S708BL*	12	35	

H9 | PGJ19-5



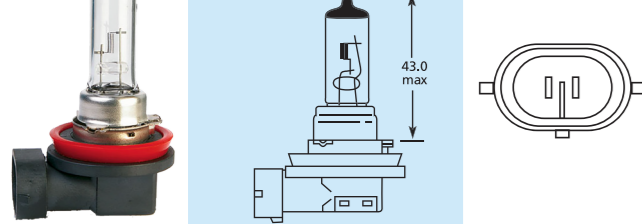
Part No.	V	W	i
S709	12	65	
S709BL*	12	65	

H10 | PY20d



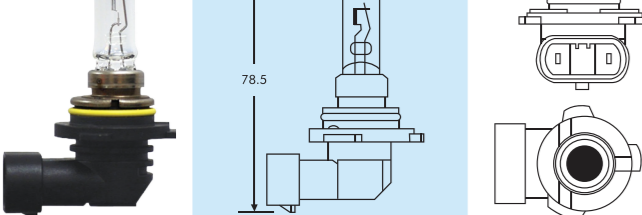
Part No.	V	W	i
S710	12	42	
S710BL*	12	42	

H11 | PGJ19-2



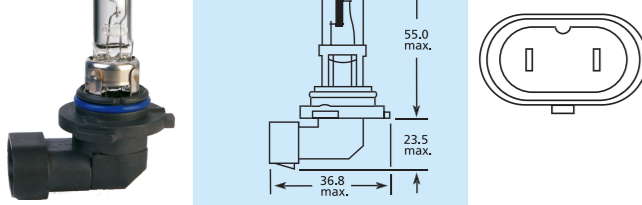
Part No.	V	W	i
SWH11 ***	12	55	+50% brighter
S711	12	55	
S711BL*	12	55	

HIR2 | PX22d



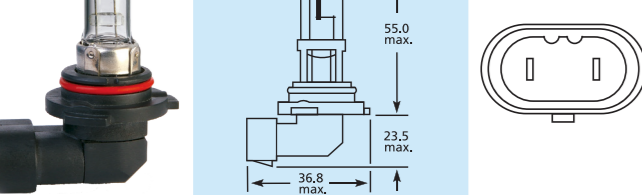
Part No.	V	W	i
SWHIR2 ***	12	55	+50% brighter
SHIR2	12	55	

HB3 | P20d



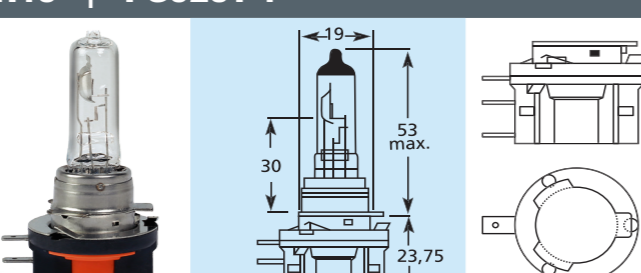
Part No.	V	W	i
SWHB3 ***	12	60	+50% brighter
S9005	12	50	
S9005BL*	12	50	

HB4 | P22d



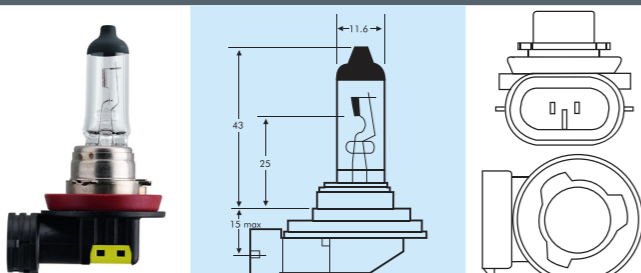
Part No.	V	W	i
SWHB4 ***	12	60	+50% brighter
S9006	12	51	
S9006BL*	12	51	

H15 | PGJ23T-1



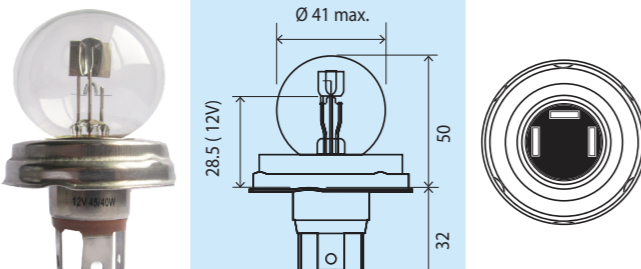
Part No.	V	W	i
SH15	12	15/55	
SH15BL*	12	15/55	

H16 | PGJ19-3



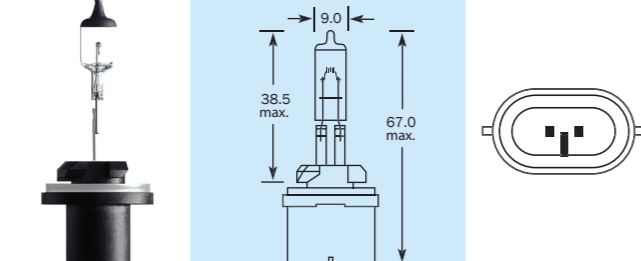
Part No.	V	W	i
SH16	12	19	

R2 | ASY P45t



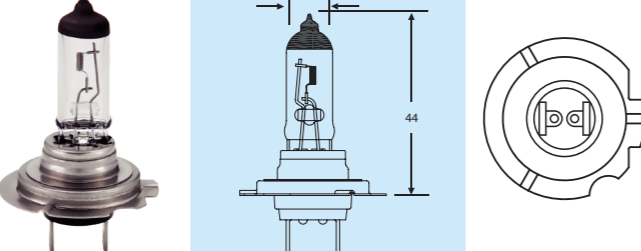
Part No.	V	W	i
S410	12	45/40	

H27W/1 | PG13



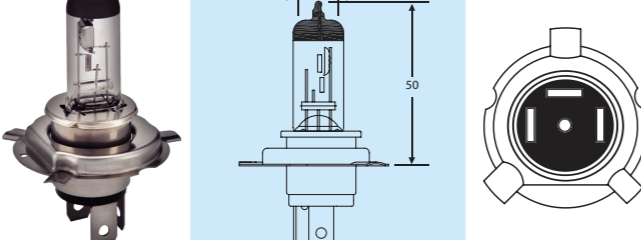
Part No.	V	W	i
SH27W1	12	27	

H18 | PY25d-1



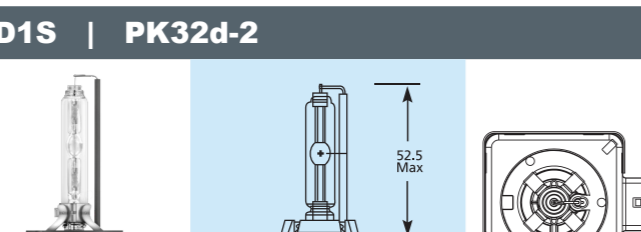
Part No.	V	W	i
SH18	12	65	

H19 | P43t-3



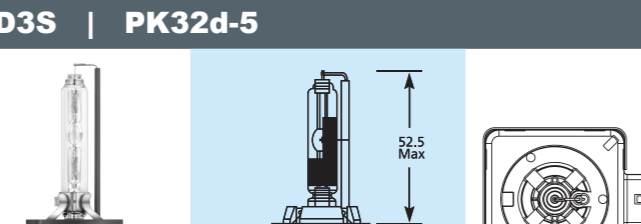
Part No.	V	W	i
SH19	12	60/55	

D1S | PK32d-2



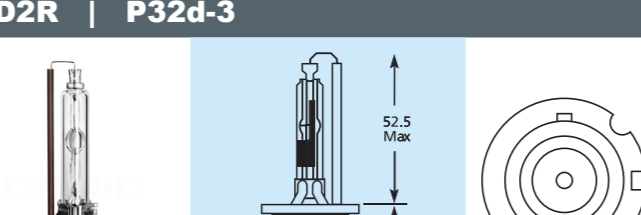
Part No.	V	W	i
D1S	12/24	19	

D3S | PK32d-5



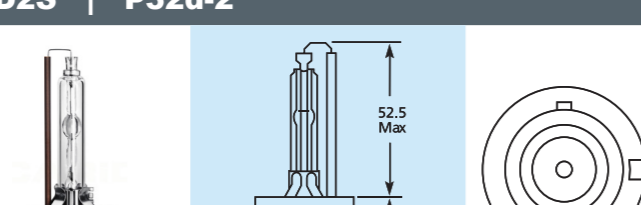
Part No.	V	W	i
D3S	12	35	

D2R | P32d-3



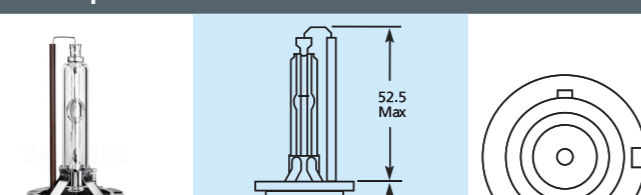
Part No.	V	W	i
D2R	12/24	35	

D2S | P32d-2



Part No.	V	W	i
D2S	12/24	35	

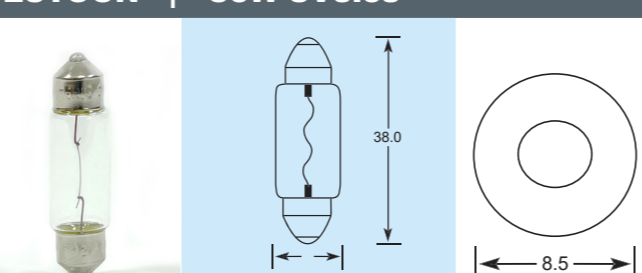
D4S | P32d-5



Part No.	V	W	i
D4S	12/24	35	

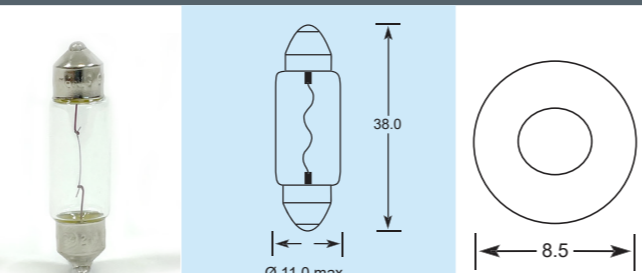
FESTOON

FESTOON | C5W SV8.5s



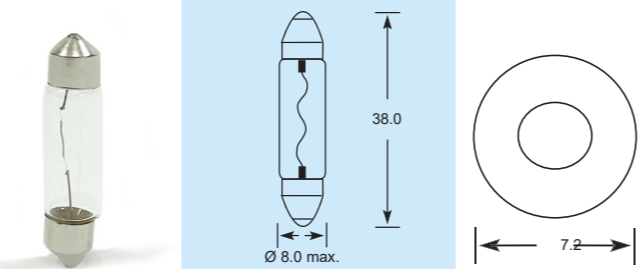
Part No.	V	W	i
S239	12	5	11x38mm
S239BL**	12	5	11x38mm

FESTOON | SV8.5-8 S8.5D



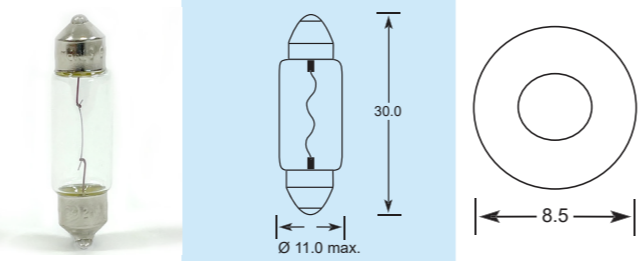
Part No.	V	W	i
S254	12	6	11x38mm
S272	12	10	11x38mm

FESTOON | S7D



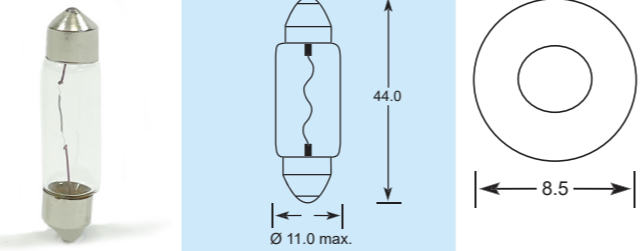
Part No.	V	W	i
S256	12	3	8x38mm

FESTOON | 10W



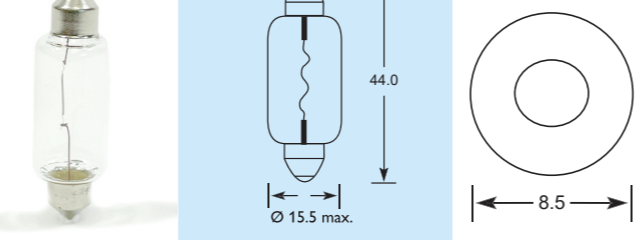
Part No.	V	W	i
S269	12	10	11x30mm
S269BL**	12	10	11x30mm

FESTOON | 10W



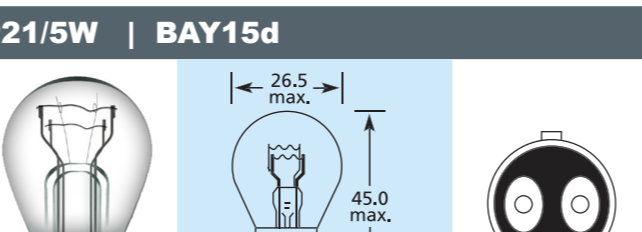
Part No.	V	W	i
S264	12	10	11x44mm
S264BL**	12	10	11x44mm

FESTOON | S8.5D



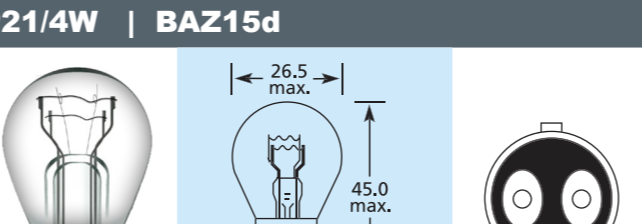
Part No.	V	W	i
S265	12	10	15x44mm
S270	12	18	15x44mm
S273	12	21	15x44mm

AUXILIARY



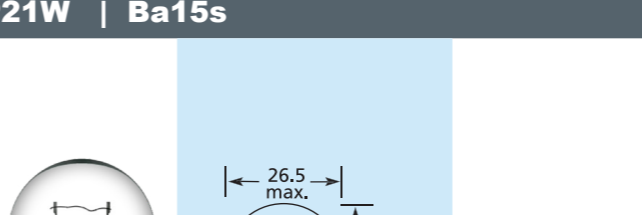
Part No.	V	W	i
S380	12	21/5	
S380BL**	12	21/5	
S380R	12	21/5	
S334	24	24/6	

P21/4W | BAZ15d



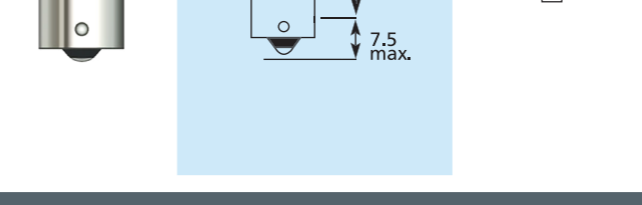
Part No.	V	W	i
S666	12	21/4	
S666BL**	12	21/4	
S666RED	12	21/4	

P21W | Ba15s



Part No.	V	W	i
S382	12	21	
S382BL**	12	21	
S343	12	21	Chrome
S343C	12	21	Chrome
S241	24	21	
S290	24	21	HEAVY DUTY
S345	28	26	HEAVY DUTY

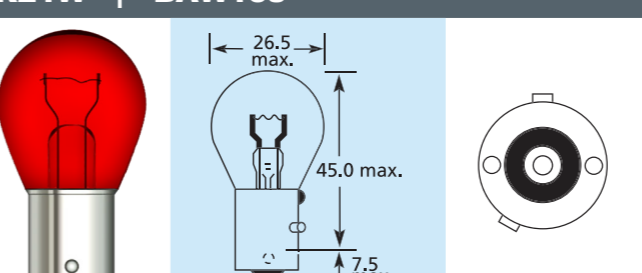
PR21/5W | BAW15d



Part No.	V	W	i
S67R	12	21/5	
S780	12	21/5	

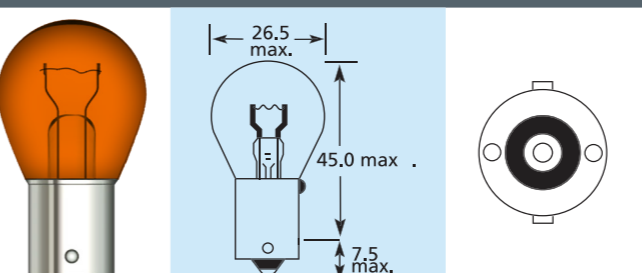
AUXILIARY

PR21W | BAW15s



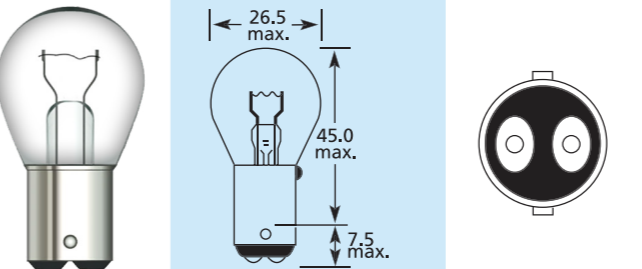
Part No.	V	W	i
S584R	12	21	

PY21W | BAU15s



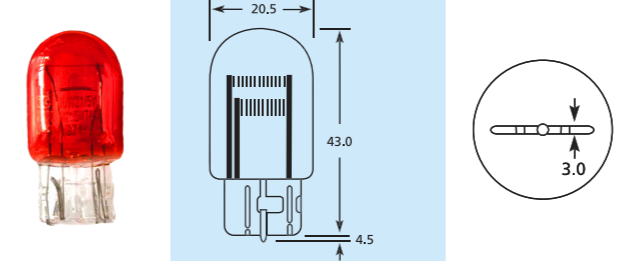
Part No.	V	W	i
S581	12	21	
S581BL**	12	21	
S581C	12	21	Chrome

P21W | BA15d



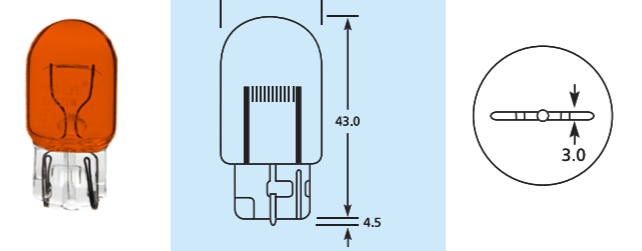
Part No.	V	W	i
S335	12	21	

W21/5W | W3x16q



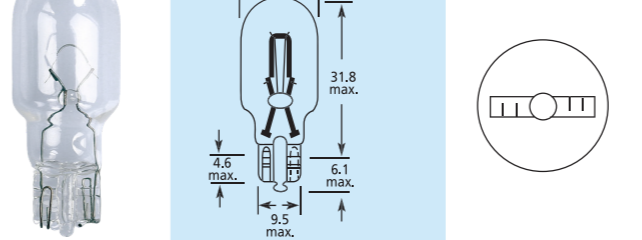
Part No.	V	W	i
S580	12	21/5	
S580R	12	21/5	

WY21/ W21W | W3x16d



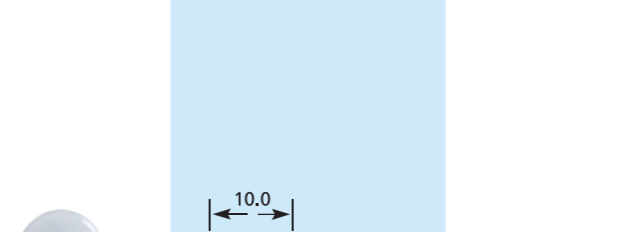
Part No.	V	W	i
S582	12	21	
S585	12	21	

W16W / W21W | W2.1x9.5d



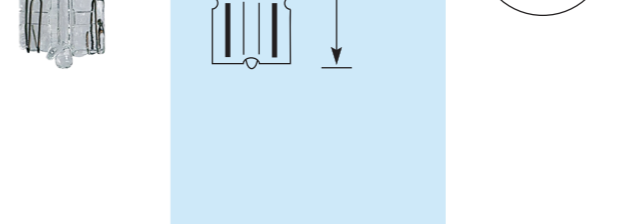
Part No.	V	W	i
S955	12	16	
S921	12	21	
S921BL**	12	21	

W5W / WY5W | W2.1x9.5d



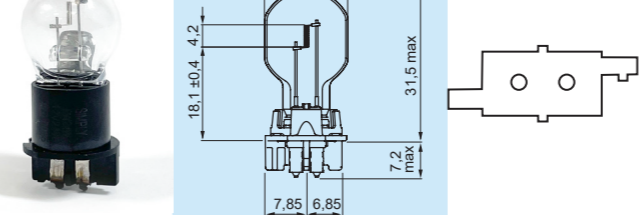
Part No.	V	W	i
SWH501BL**	12	5	+50% brighter
S501	12	5	
S501BL**	12	5	
S501A	12	5	
S501ABL**	12	5	
S504	12	3	
S504BL**	12	3	
S501C	12	5	Chrome
S507	24	5	

PWX24W | WP3.3x14.5/3



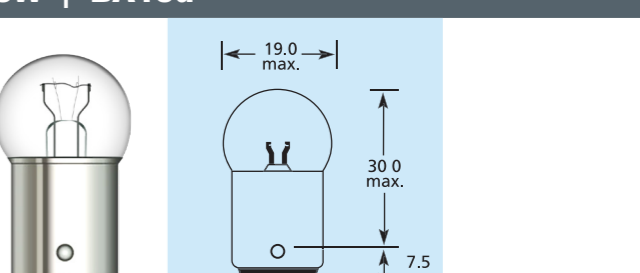
Part No.	V	W	i
SPW24W	12	24	

R5W / R10W | BA15s



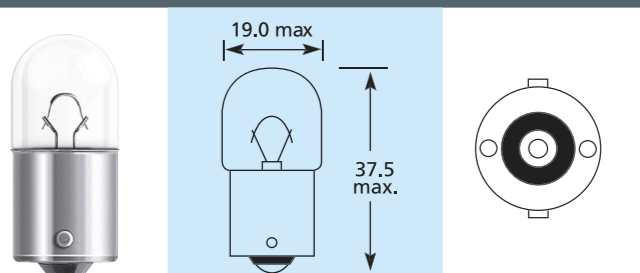
Part No.	V	W	i
S207	12	5	
S207BL**	12	5	
S245	12	10	
S245BL**	12	10	
S149	24	5	
S246	24	10	

R5W | BA15d



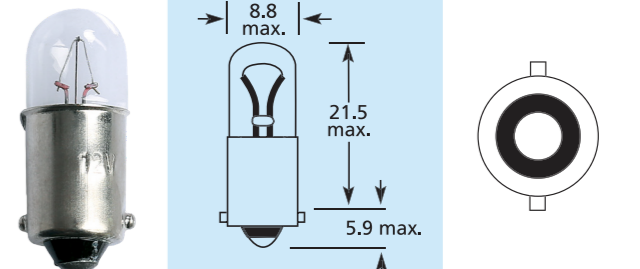
Part No.	V	W	i
S209	12	5	

R5W / R7W | BA15s



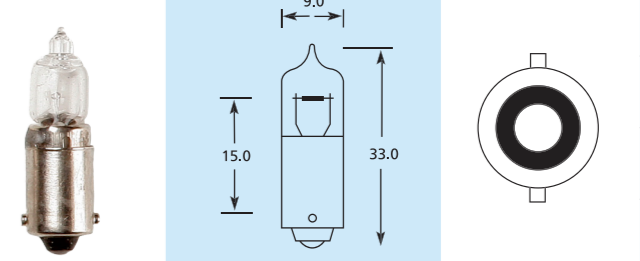
Part No.	V	W	i
S248	24	5	HEAVY DUTY
S874	28	7	

T4W | BA9s



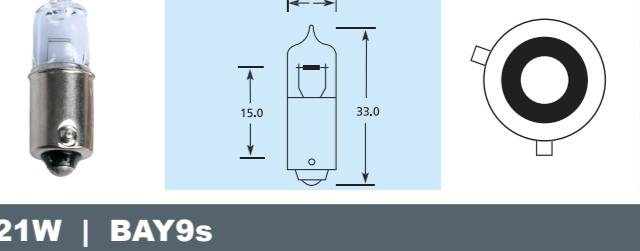
Part No.	V	W	i
S233	12	4	
S233BL**	12	4	

H20W | BA9s



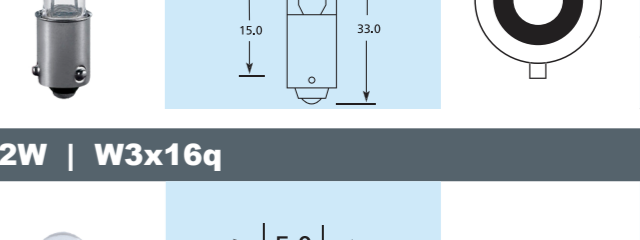
Part No.	V	W	i
S433	12	20	

H6W | BAXS9s



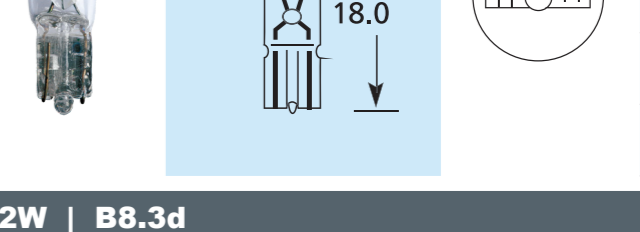
Part No.	V	W	i
S434	12	6	
S434BL**	12	6	

H21W | BAY9s



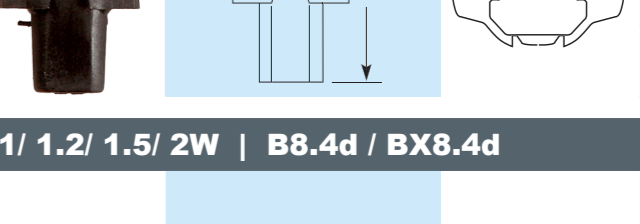
Part No.	V	W	i
S435	12	21	

1.2W | W3x16q



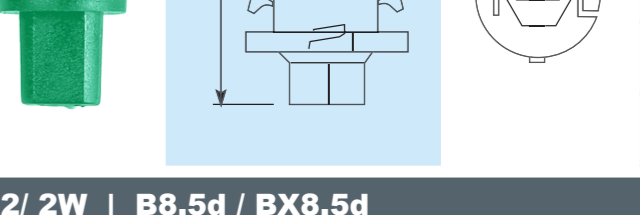
Part No.	V	W	i
S286	12	1.2	
S286BL**	12	1.2	
S286A	12	1.2	
S286G	12	1.2	
S286R	12	1.2	

1.2W | B8.3d



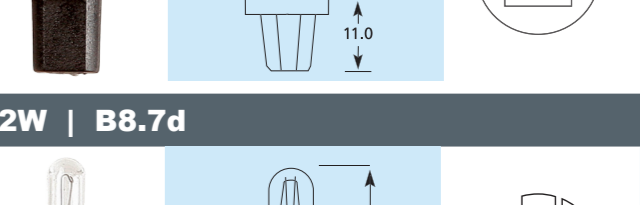
Part No.	V	W	i
SS09TBBK	12	1.2	Base

1.1/ 1.2/ 1.5/ 2W | B8.4d / BX8.4d



Part No.	V	W	i
SS09TMBL	12	1.2	Base
SS09TMBE	12	1.5	Base
SS09TMBK	12	1.2	Base
SS09TMGR	12	2	Base
SS09TMOR	12	1.1	Base

1.2/ 2W | B8.5d / BX8.5d



Part No.	V	W	i
S509T	12	1.2	Base
S509TGR	12	2	Base</